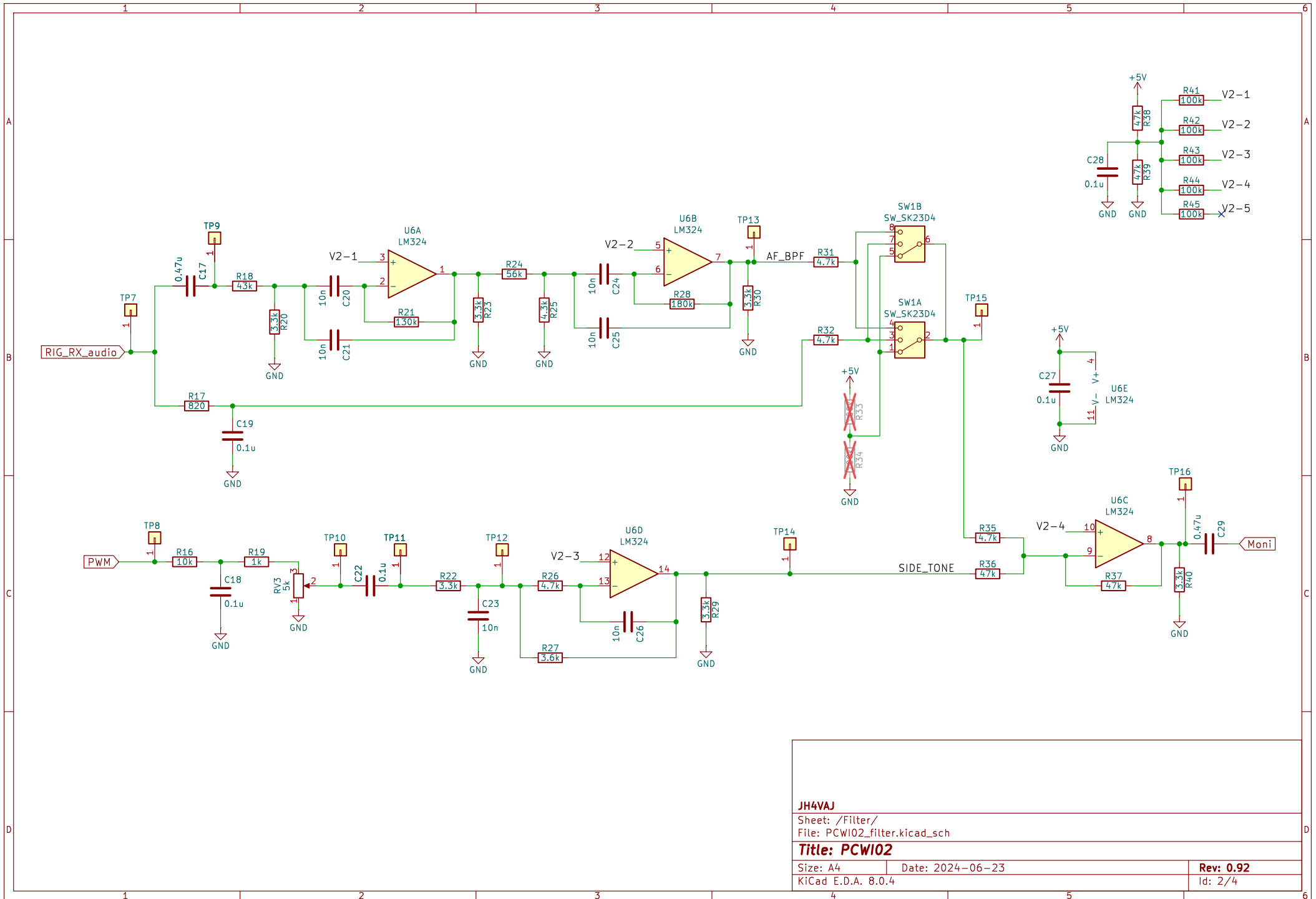


Filter
File: PCWI02_filter.kicad_sch

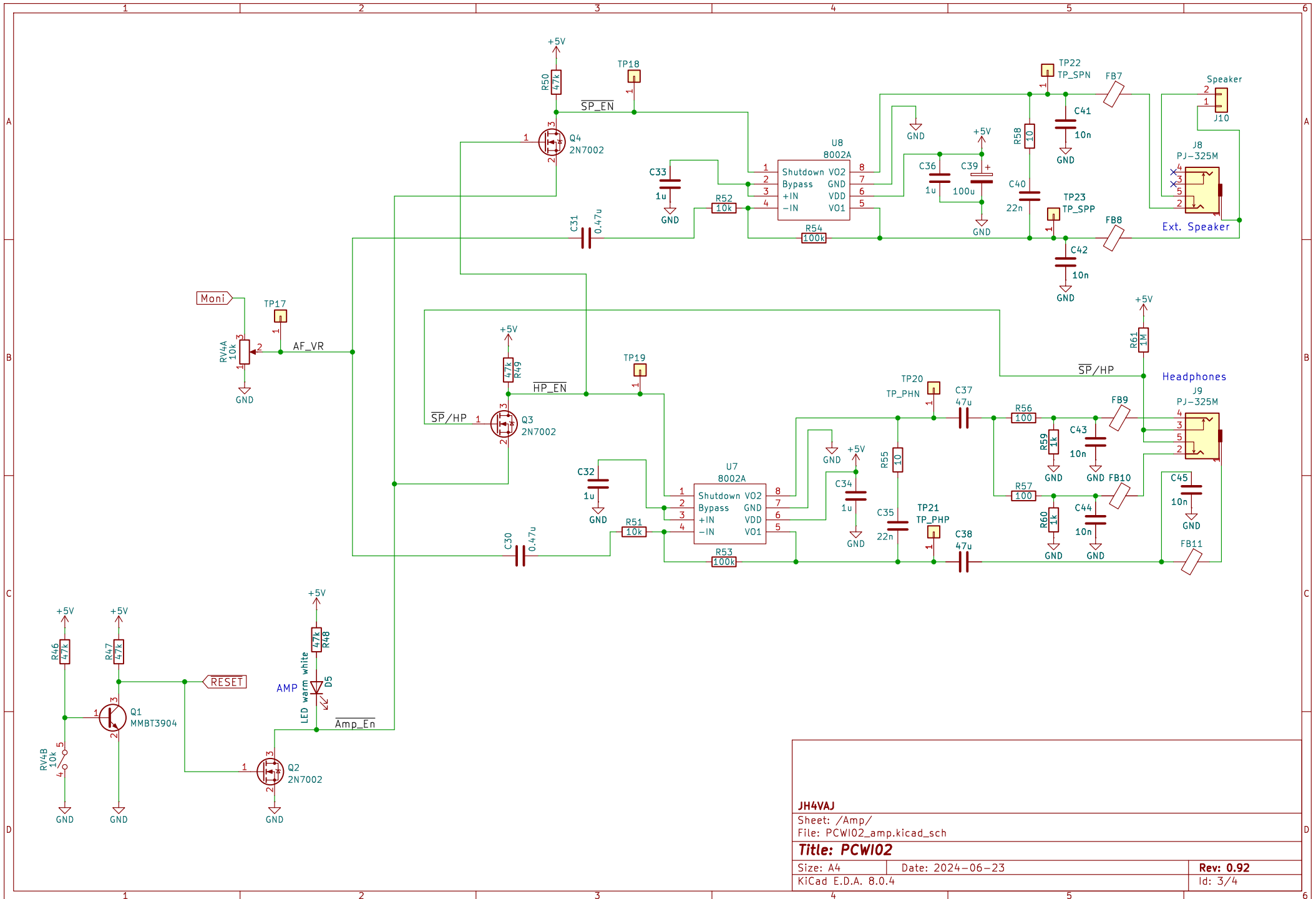
Amp
File: PCWI02_amp.kicad_sch

Keyer
File: PCWI02_keyer.kicad_sch

JH4VAJ	
Sheet: /	
File: PCWI02.kicad_sch	
Title: PCWI02	
Size: A4	Date: 2024-06-23
KiCad E.D.A. 8.0.4	Rev: 0.92
	Id: 1/4



JH4VAJ	
Sheet: /Filter/	
File: PCWI02_filter.kicad_sch	
Title: PCWI02	
Size: A4	Date: 2024-06-23
KiCad E.D.A. 8.0.4	Rev: 0.92
	Id: 2/4



JH4VAJ

Sheet: /Amp/
 File: PCWI02_amp.kicad_sch

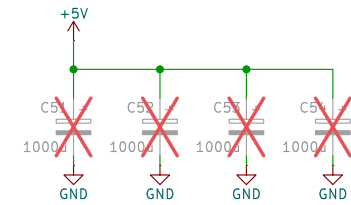
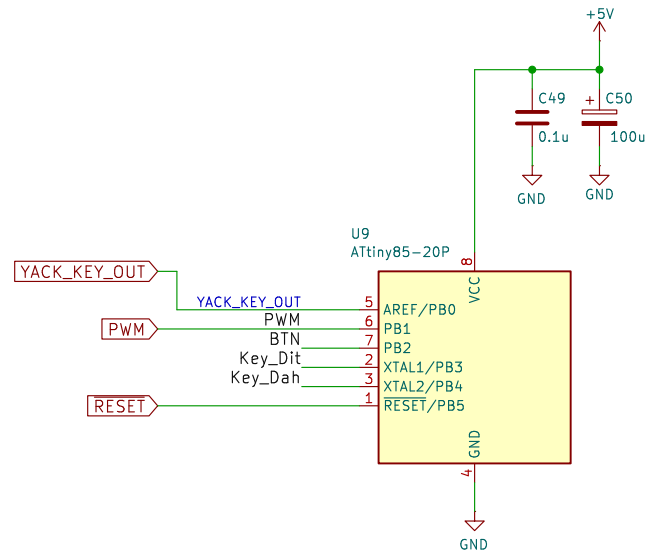
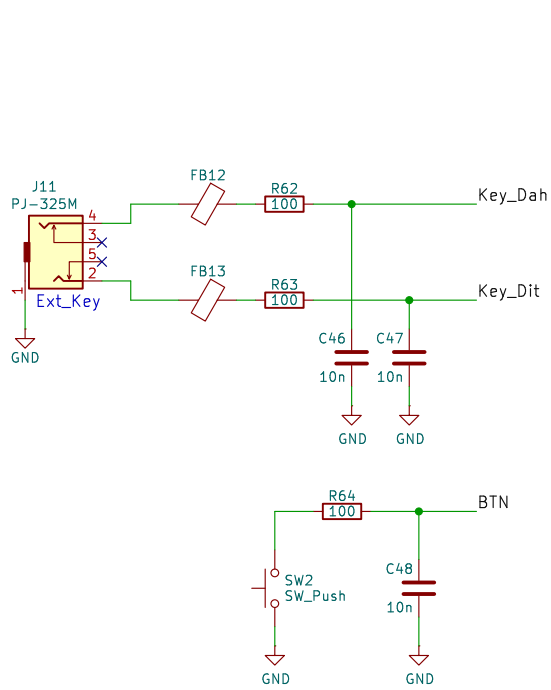
Title: PCWI02

Size: A4 Date: 2024-06-23

KiCad E.D.A. 8.0.4

Rev: 0.92

Id: 3/4



JH4VAJ

Sheet: /Keyer/
File: PCWI02_keyer.kicad_sch

Title: PCWI02

Size: A4 Date: 2024-06-23

KiCad E.D.A. 8.0.4

Rev: 0.92

Id: 4/4